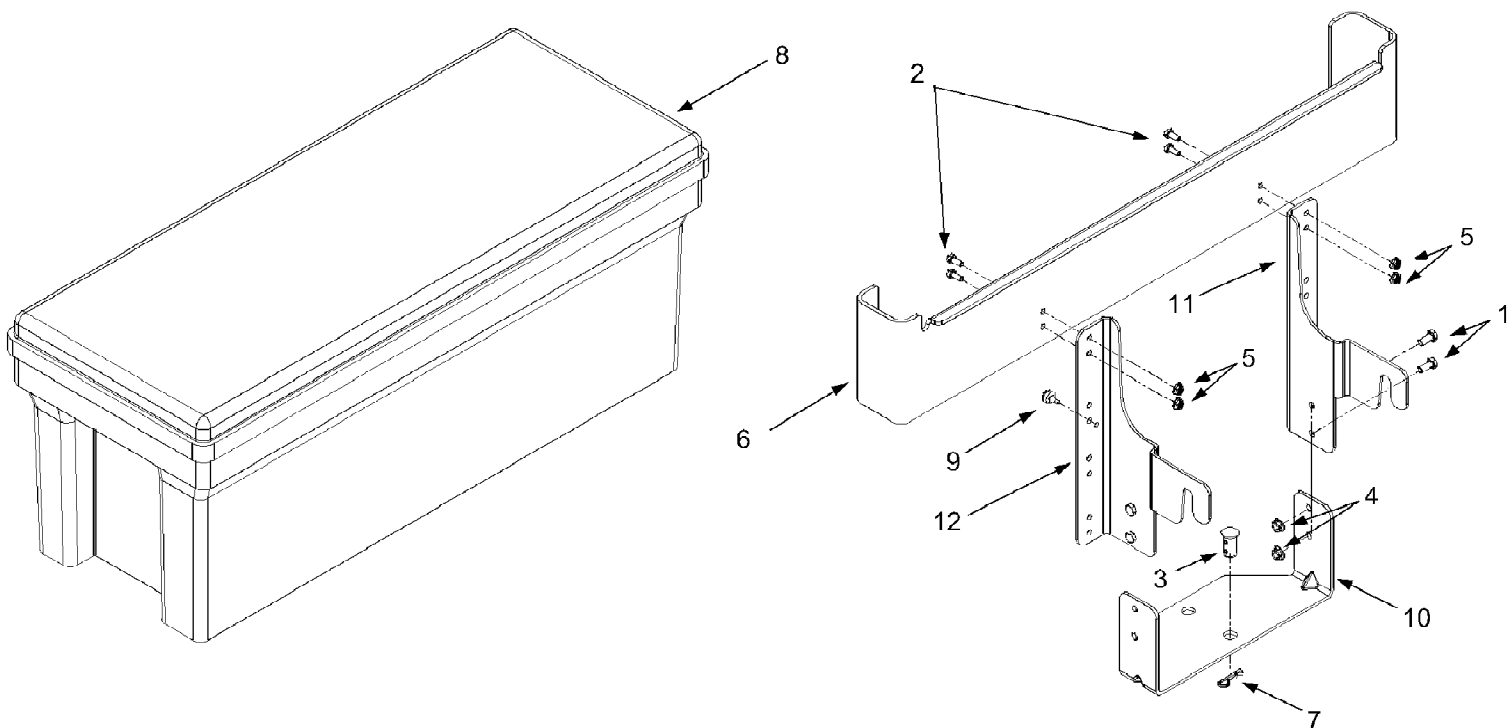


190-604-101 Toolbox (2002)
Toolbox



Ref #	Part Number	Qty	S/P/F	Description
1	710-3008	1	/P	Hex Cap Screw, 5/16-18 x .75
2	710-0751	1	/P	Hex Cap Screw, 1/4-20 x .62
3	711-0309A	1	/P	Clevis Pin
4	712-3004A	1	/P	Hex Flange Lock Nut, 5/16-18
5	712-3027	1	S	Hex Flange Lock Nut, 1/4-20
6	783-0777	1	S	Tool Box Support Bracket
7	714-0117	1	/P	Internal Cotter Pin, .148 x 3
8	731-2110	1		Plastic Tool Box
9	735-0271	1	S	Bumper, .62 Dia. x .3
10	783-0765	1	S	Cross Support Bracket
11	783-0764	1	S	LH Support Bracket
12	783-0673	1	S	RH Support Bracket